

Uncle George Bat Box Instructions

All of the Dimensions Listed Are In Inches Unless Specified Otherwise

Supplies

- ACX ½ inch plywood - 24 x 24
- Rough sawn ¼ inch plywood - 24x24
- J-flashing - 12 inches
- Metal hanger
- Silicone caulk - 1 tube
- 1x4x36 – cedar wood
- Matte black spray paint - 1 can
- Box of 1 inch Brads

NOTE: DON'T USE ANY TREATED WOOD. IT IS POISONOUS TO THE BATS THAT WILL LIVE INSIDE

Pieces

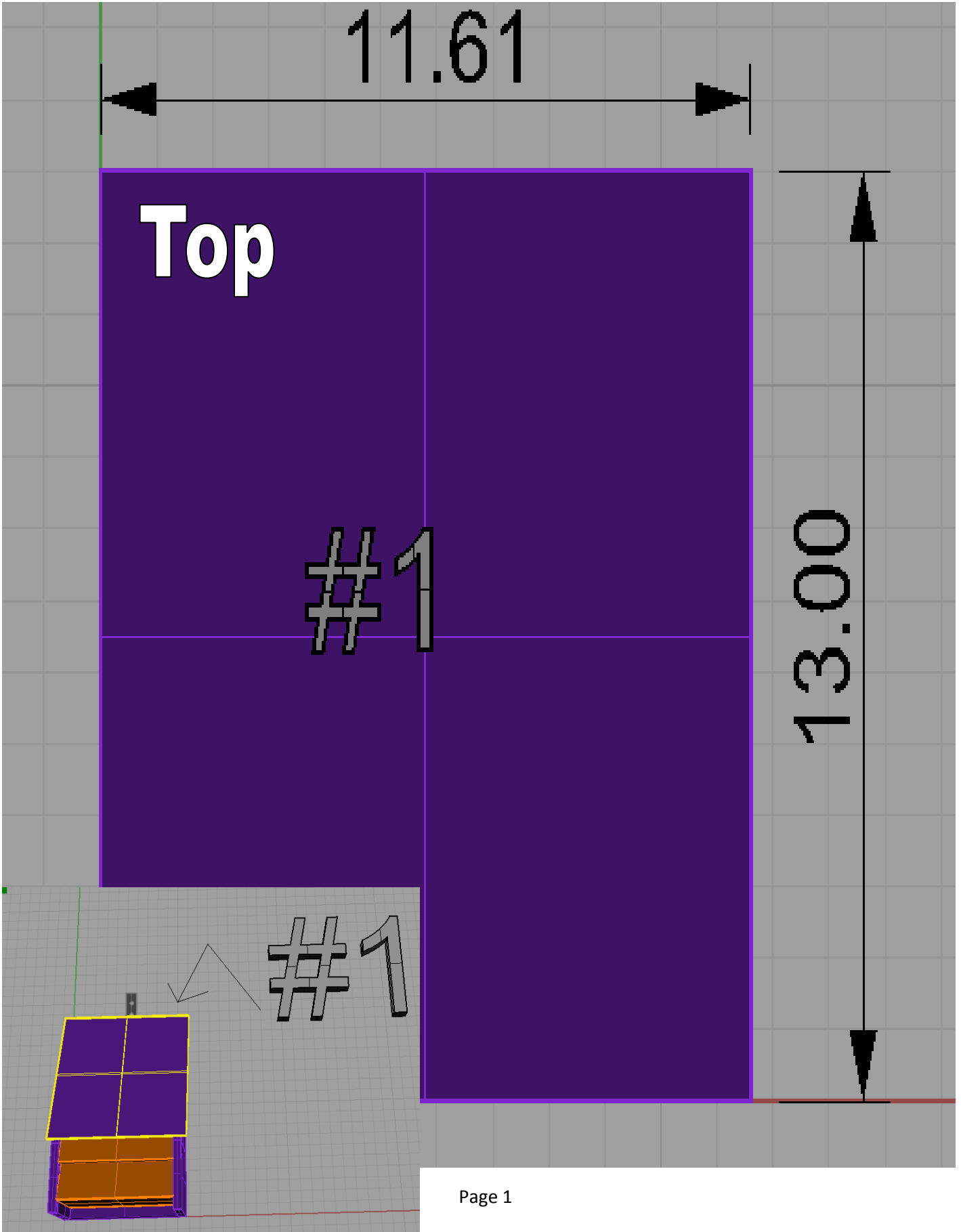
- The **back** piece is the piece that goes against the side of wall, post or other wall like surface. It says **back** on it and is made using the ½ inch smooth plywood.
- The **sides** (2) are the triangle like shaped pieces made using ½ inch smooth plywood. They fit between the top and the **back** piece.
- The **bottom** is the small rectangular piece that is made using ¼ inch rough-cut plywood (sawn), it is going to fit in just underneath the **back most separator** about an inch in.
- The **back most separator** is made of ¼ rough-cut plywood it will go on top of the **bottom** so that it just reaches the edge of the box.
- The **spacers** go in between the **back most separator** and the **middle separator** and between the **middle separator** and the top. Made of cedar cut to the dimensions (.75x.75x8)
- The **middle separator** sits just on top of the **spacers** and is made of rough-cut ¼ inch plywood.
- The **top** is the part that you see on the **top**, it is made of ½ inch smooth and is set on top of the **spacers** on the **middle separator**.
- The **flashing** is a metal strip just long enough to cover the joint on top of the bat box.
- The **metal hanger** is a sturdy strip of metal with 2 or 3 holes in the middle of it. Attach it to the back of the bat box using a ¾ inch nail or screw using the remaining holes to secure it to the wall or post.

Uncle George Bat Box Instructions

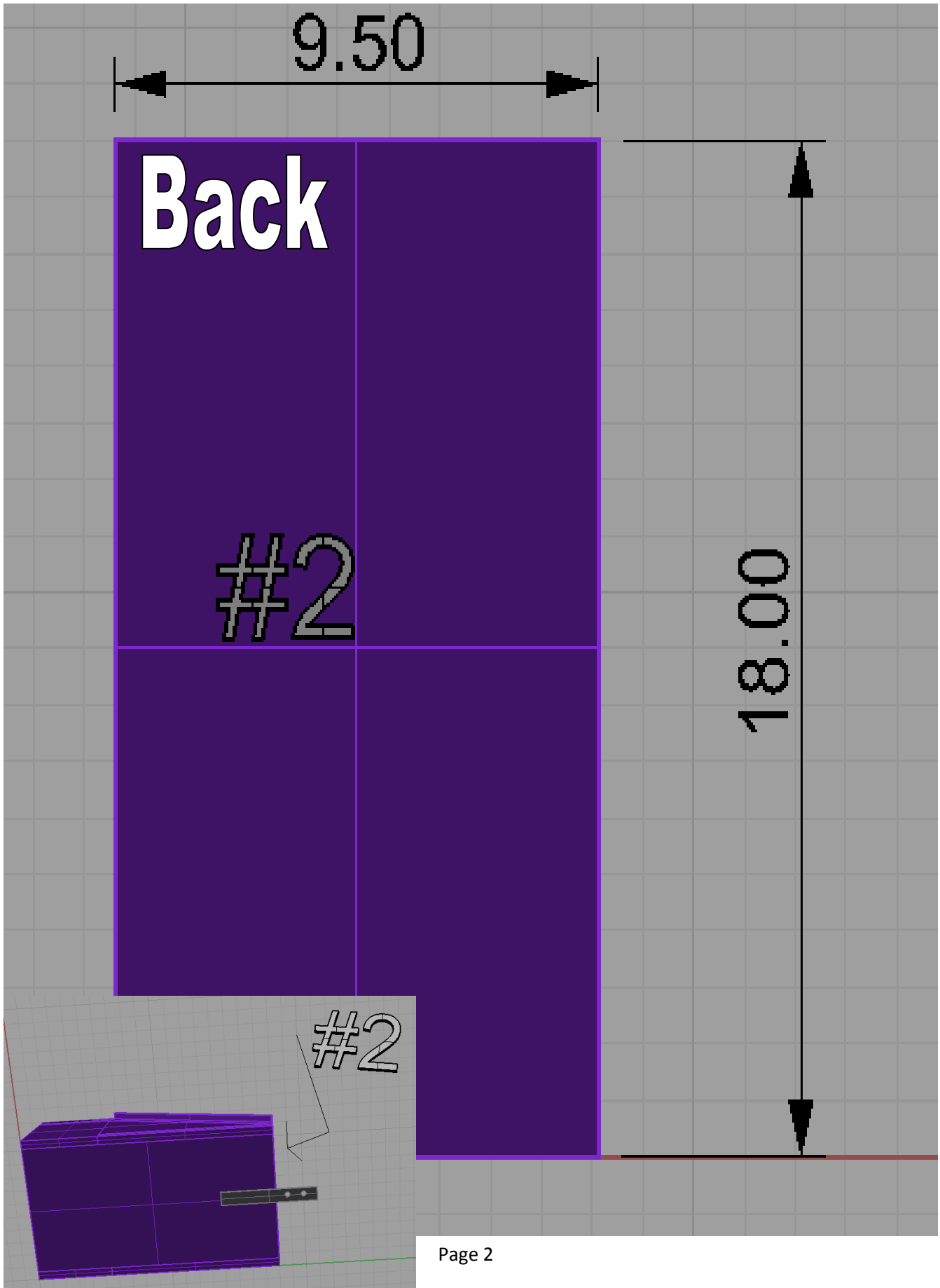
Steps

- Step 1: After cutting all the separate pieces of wood, lay the **back** piece on the bench.
- Step 2: Place the left side piece on the **back** piece and attach using glue and 1 inch brads. (Note: a finishing nail gun may be used but is not necessary)
- Step 3: Repeat Step 2 for the right side.
- Step 4: Place the **bottom** of the bat box in place and fasten using glue and 1 inch brads.
- Step 5: Fasten the **back most separator** onto the left and right side pieces per diagram on page 5.
- Step 6: Fasten the **spacers** to the separator installed in Step 5, using glue and 1 inch brads.
- Step 7: Fasten the **middle separator** onto the spacers installed in Step 6 and fasten to the left and right side pieces.
- Step 8: Fasten the **spacers** to the separator installed in Step 7, using glue and 1 inch brads.
- Step 9: Fasten the front to the **sides** using glue and 1 inch brads.
- Step 10: Fasten the solid wood strips to cover the edges of the **sides** using glue and 1-inch brads.
- Step 11: Caulk all the joints to provide privacy for the bats as they sleep during the daytime.
- Step 12: Install **flashing** along the top edge of the box using 1 1/2 inch roofing nails.
- Step 13: Install a **hanger** on the top of the **back** side using 3/4 inch screws or nails.
- Step 14: Paint the outside using flat black spray paint. (**DON'T** get it on the rough cut wood)
- Step 15: Hang your bat box in a proud location for the bats to use and keep your yard bug-free for most of the year.

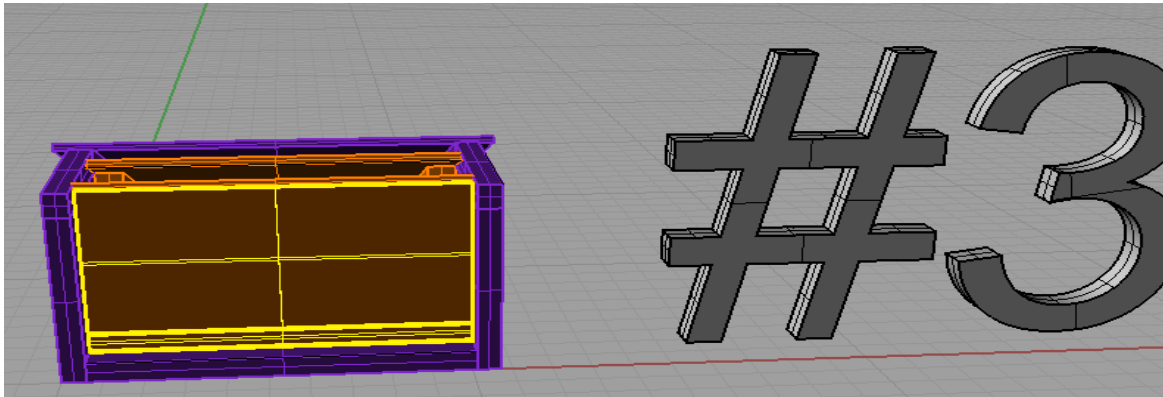
Uncle George Bat Box Instructions



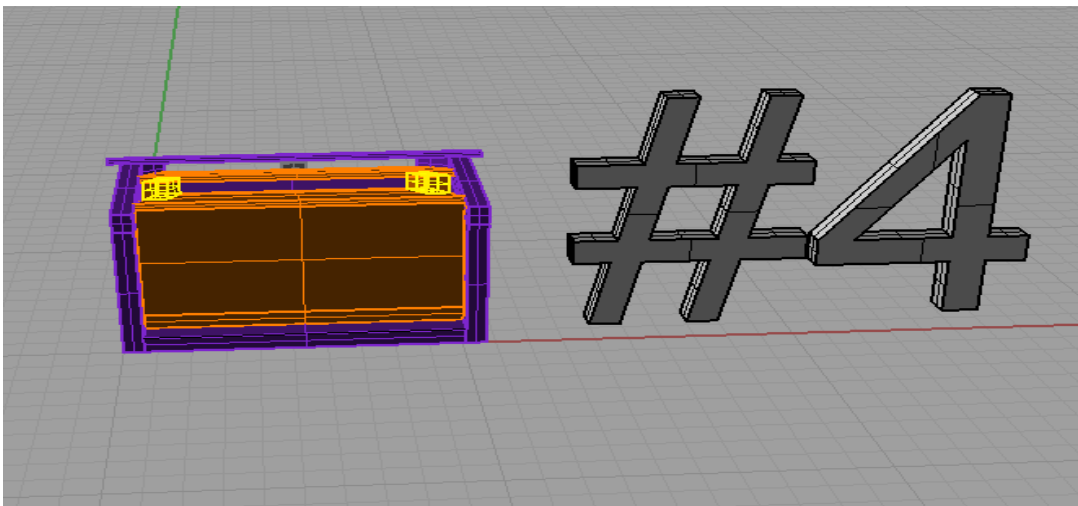
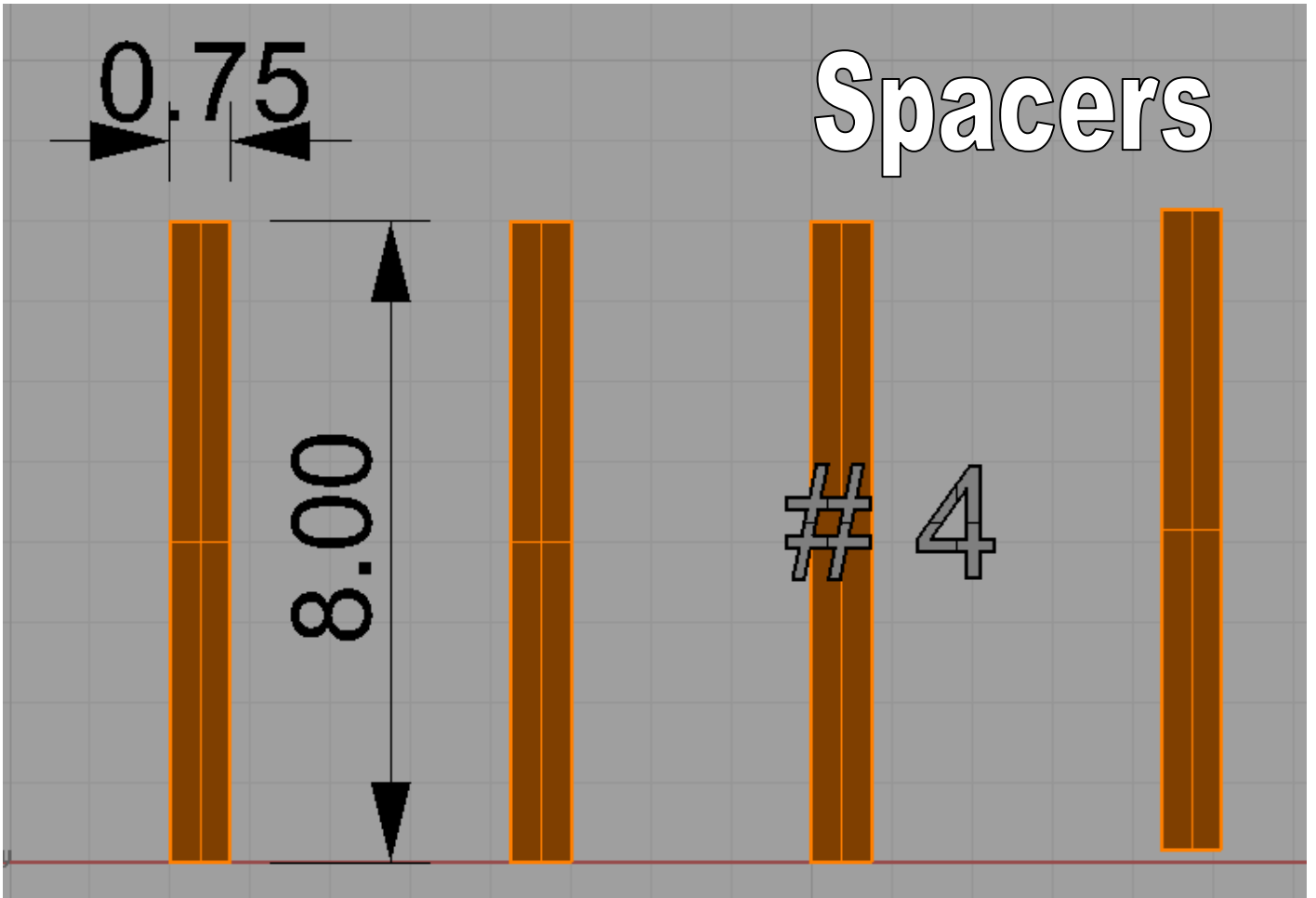
Uncle George Bat Box Instructions



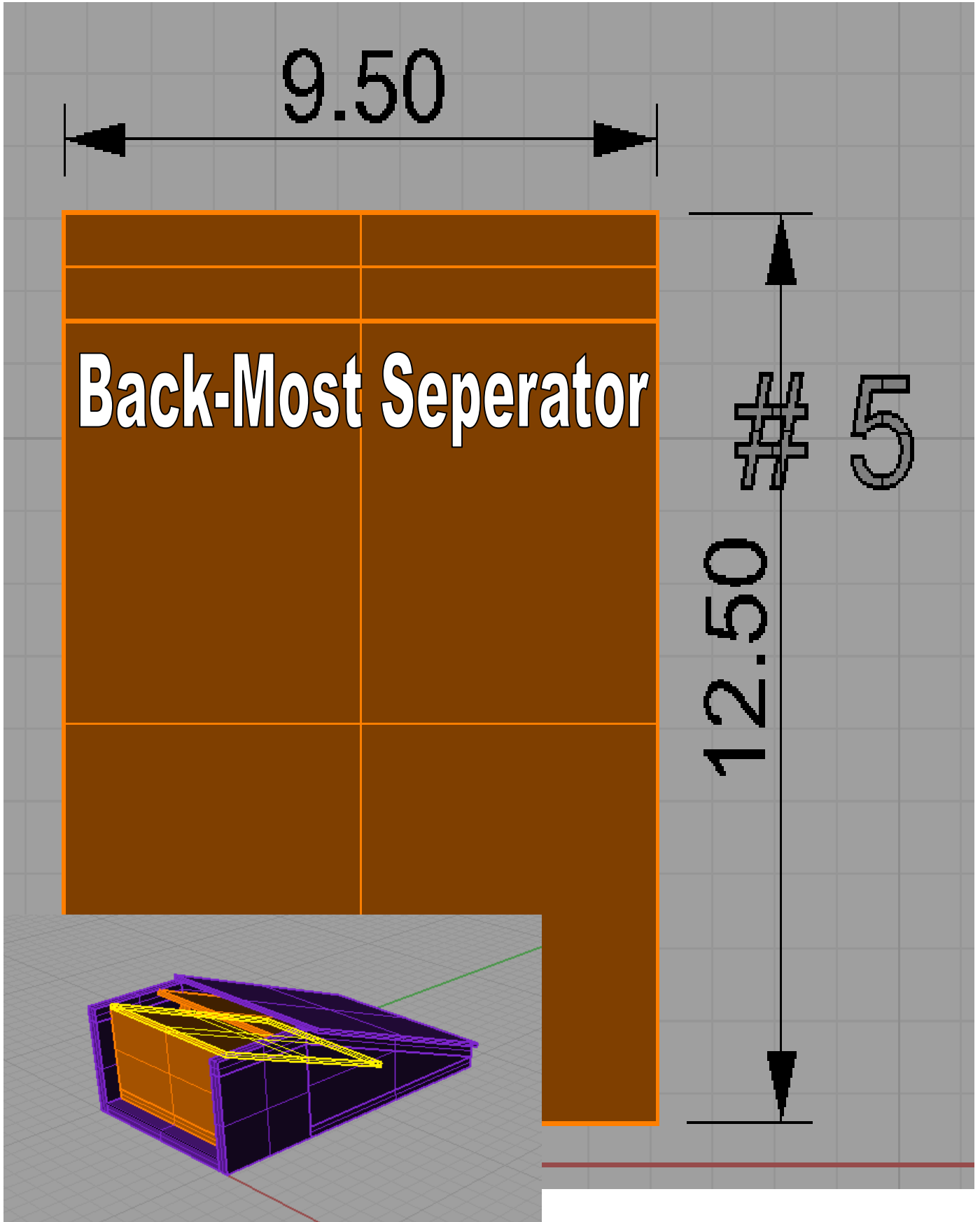
Uncle George Bat Box Instructions



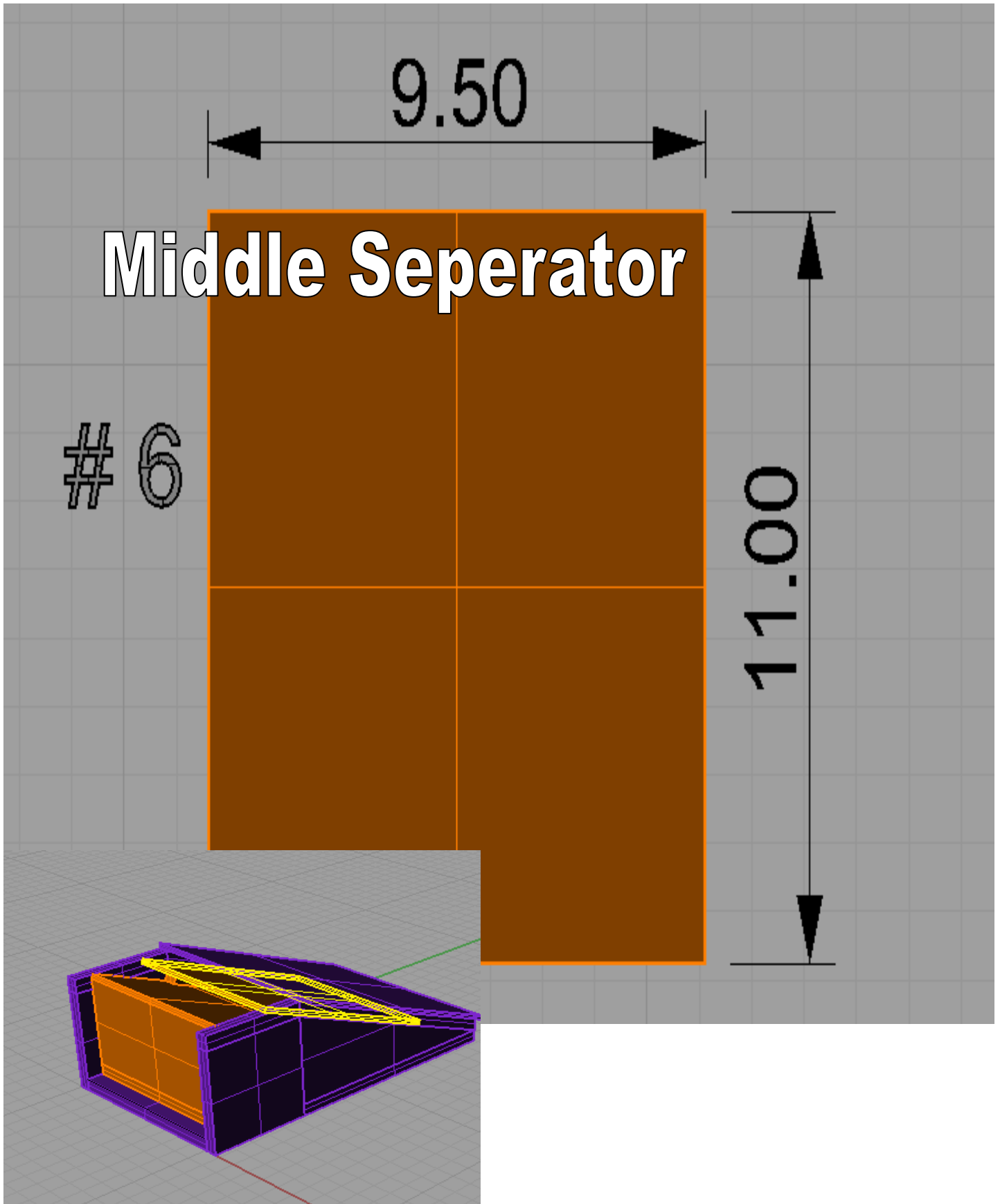
Uncle George Bat Box Instructions



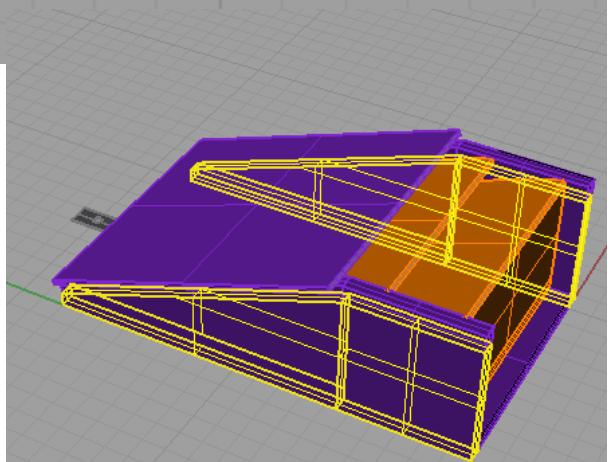
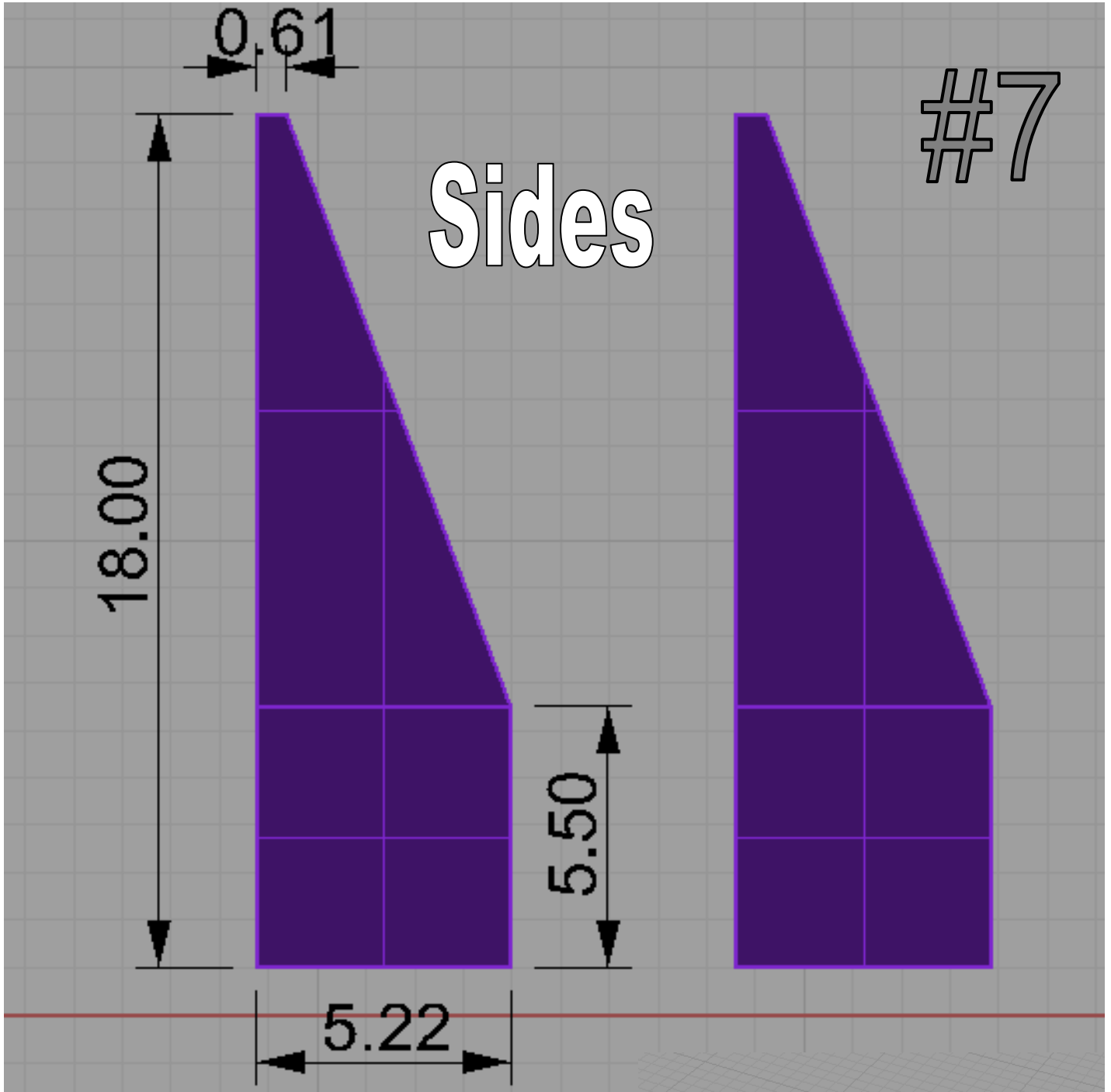
Uncle George Bat Box Instructions



Uncle George Bat Box Instructions



Uncle George Bat Box Instructions



Uncle George Bat Box Instructions

Edge Covers

#8!

